

FLAT FACE AIRFOIL FUME HOODS:

The flat face style fume hood is of a double wall construction, allowing for the installation of service outlets on both sides of the hood. All the controls can be mounted on the hoods post fronts allowing for easy manipulation. The hood comes with inner and outer access panels to allow servicing of valves and electrical connections. The hood exterior is constructed of furniture steel and painted with a chemical and corrosion resistant finish. The interior is constructed of a chemical resistant white poly resin which is both durable and easy to maintain. The hoods sash is constructed of furniture steel and painted to match hood. The vertical sliding sash encases a 1/4" thick panel of laminated safety glass and uses a counterbalance weight for smooth operation.

This hood is standard with louvers in the front panel for constant bypass. The hood can use the Add Air System for greater energy savings for more details about this system see the accessories section in this catalog. This hood comes standard with a removable airfoil.

Services-

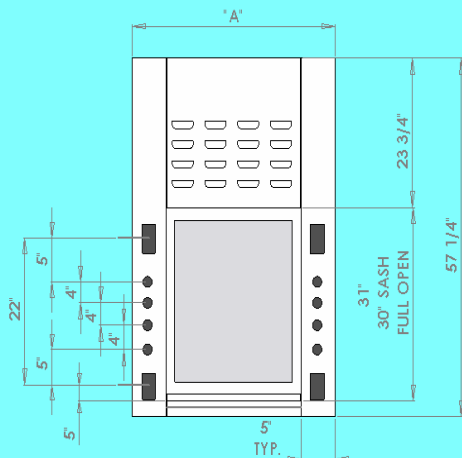
This hood comes standard with a two tube fluorescent light and a round exhaust duct. Optional services include light switch, blower switch, air, gas, vacuum, water, electrical receptacles, vapor proof incandescent light, and square duct. All items available along with a full selection of additional items in the accessories section in this catalog. All fume hood front posts are pierced for fixtures based on customer specifications. The hood interior liner will only have holes where fixtures are requested by customer. This hood can be used with restricted air volume exhaust, variable air volume, and constant bypass systems.

FFA STANDARD FUME HOOD SIZES					
MODEL NO.	"A" WIDTH	HEIGHT	DEPTH	EXHAUST DUCT	BLOWER PRT. NO.
100-035-FFA	35"	56"	33"	8" DIAMETER	1FA-RTB-035
100-036-FFA	36"	56"	33"	8" DIAMETER	1FA-RTB-036
100-047-FFA	47"	56"	33"	9" DIAMETER	1FA-RTB-047
100-048-FFA	48"	56"	33"	9" DIAMETER	1FA-RTB-048
100-058-FFA	58"	56"	33"	10" DIAMETER	1FA-RTB-058
100-060-FFA	60"	56"	33"	10" DIAMETER	1FA-RTB-060
100-070-FFA	70"	56"	33"	10" DIAMETER	1FA-RTB-070
100-072-FFA	72"	56"	33"	10" DIAMETER	1FA-RTB-072
100-094-FFA	94"	56"	33"	2 - 10" DIA.	1FA-RTB-094
100-096-FFA	96"	56"	33"	2 - 10" DIA.	1FA-RTB-096

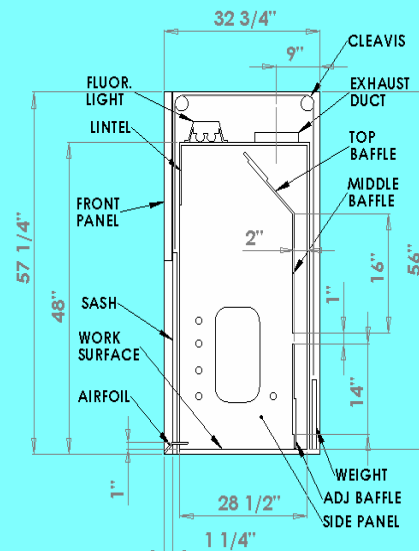
Note: Blowers are offered in single or three phase and explosion proof optional.

Applications: Industrial, Institutional, University, & K thru High School

Added Accessory options: Chain and sprocket sash, explosion proof lights and electrical fixtures, special chemical resistant coated plumbing fixtures, alarms, sash sensor w/ alarm, ceiling enclosures, pre-wire, pre-plumb, work surfaces. Remote baffle, sash configurations, material choice, and sash stops.



FRONT VIEW



SIDE SECTION