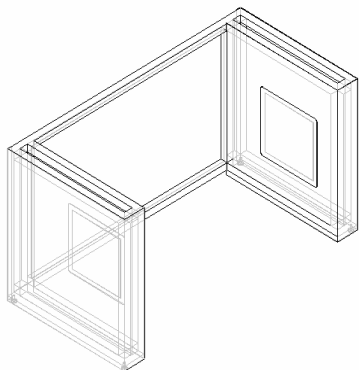


# ADA STANDS

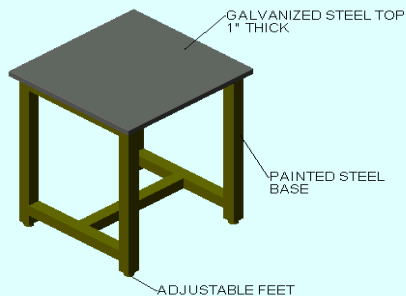


DESIGN 1 STANDARD ADA STAND		SIZES			
MODEL NO.	WIDTH	HEIGHT	DEPTH	ADJUSTABLE FEET	MATERIAL
190-035-SD1	35"	35 1/4"	29"	STANDARD	CRS
190-036-SD1	36"	35 1/4"	29"	STANDARD	CRS
190-058-SD1	47"	35 1/4"	29"	STANDARD	CRS
190-060-SD1	48"	35 1/4"	29"	STANDARD	CRS
190-058-SD1	58"	35 1/4"	29"	STANDARD	CRS
190-060-SD1	60"	35 1/4"	29"	STANDARD	CRS
190-070-SD1	70"	35 1/4"	29"	STANDARD	CRS
190-072-SD1	72"	35 1/4"	29"	STANDARD	CRS

### VALUE ADDED FEATURES -

Stands can be mounted with electric power height adjustment if desired. These stands can also use a hand crank type height adjusting system. They can go from 30" high up to 40". These are currently special add on items just ask and we can add this to the base as needed. (note typically used with safety cabinet).

You can also add one other option to the bases and that would be casters. There are both 4" diameter and 5" diameter gray colored casters locking or non-locking, non-marking, full 360 degree swivel institutional grade NSF approved. For further details on added value items contact your dealer for further ordering details.



### BASE AND GALVANIZED COUNTERTOP FOR A 24" SPRAYBOOTH

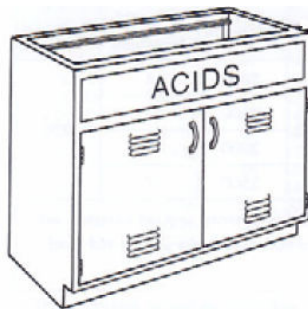
- PART NO. **124-BAS-GLV** = 24"W X 30"H X 30"D  
**130-BAS-GLV** = 30"W X 30"H X 30"D  
**136-BAS-GLV** = 36"W X 30"H X 30"D  
**148-BAS-GLV** = 48"W X 30"H X 30"D

### BASE CABINETS FOR FUME HOODS:

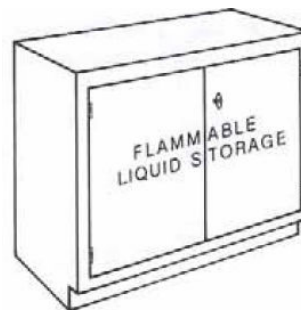
The fume hood stands are designed with strength and durability in mind to support the hoods superstructure. The stands are constructed of furniture steel. There are three different designs to choose from. All bases painted to match fume hoods. Stainless steel is optional.



STANDARD FUME  
HOOD BASE CABINET



ACID STORAGE FUME  
HOOD BASE CABINET



FLAMMABLE STORAGE FUME  
HOOD BASE CABINET