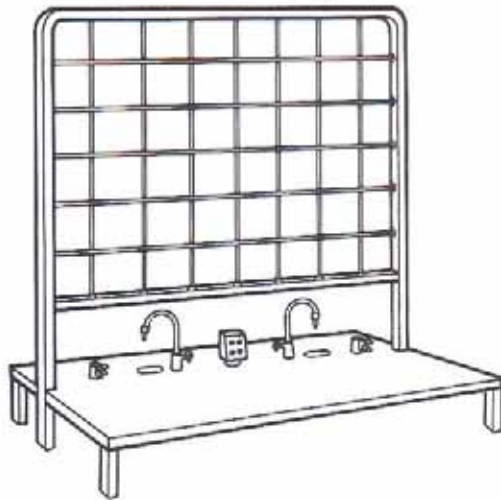


# Specialty Equipment

## Y1-400 Series Distillation Rack One Side Access Type



The Y1-400 Series Distillation Racks as shown, is designed for use along a wall and has open storage space below the top. This type can be furnished with access from both sides as listed below. Work top is 18" high.

### Y1-400 SERIES DISTILLATION RACK ONE SIDE ACCESS TYPE

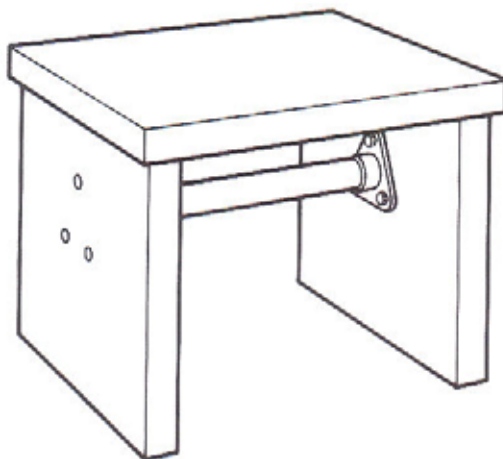
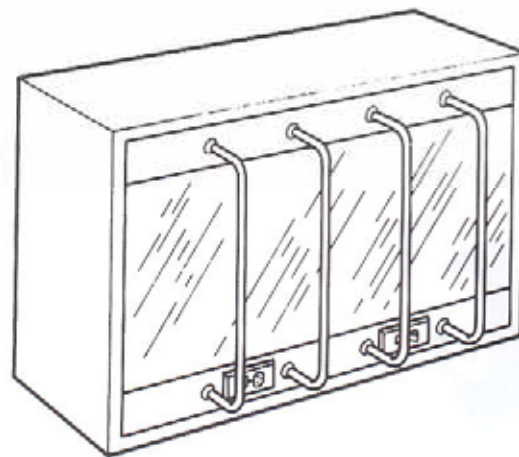
CAT. NO.	LENGTH	DEPTH	HEIGHT	ACCESS FROM
Y1-401	6'0"	4'0"	8'0"	BOTH SIDES
Y1-402	8'0"	4'0"	8'0"	BOTH SIDES
Y1-403	10'0"	4'0"	8'0"	BOTH SIDES
Y1-411	6'0"	2'6"	8'0"	ONE SIDE
Y1-412	8'0"	2'6"	8'0"	ONE SIDE
Y1-413	10'0"	2'6"	8'0"	ONE SIDE

Service fixtures shown: F-501 cold water gooseneck, F-112 cock for gas, K-942A electric.

## Titration Superstructure

The Titration Superstructure is designed to be mounted on existing units or new sectional units or tables. Furnished with K-944A electric recep. glass panel with light and light switch and (4) 1/2" dia. aluminum rods.

CAT. NO.	LENGTH	DEPTH	HEIGHT
Y1-801	36"	13"	36" or 48 1/4"
Y1-802	48"	13"	36" or 48 1/4"
Y1-803	60"	13"	36" or 48 1/4"



## Balance Table

This Balance table is made of epoxy resin. It is made to minimize and almost eliminate floor vibrations to assure the highest weighing accuracy. The table is furnished complete with epoxy side supports, top and tubular steel brace.

CAT. NO.	LENGTH	DEPTH	HEIGHT
Y10-200	35"	24"	30"

Steel constructed balance tables are also available. See Page 13  
Shipped K/D. Shipping weight 625 lbs.